



CLEVIS HANGER

Standard Duty Model 4500 & 4600

SIZE:

Standard Duty: 1/2" thru 16"

MATERIAL:

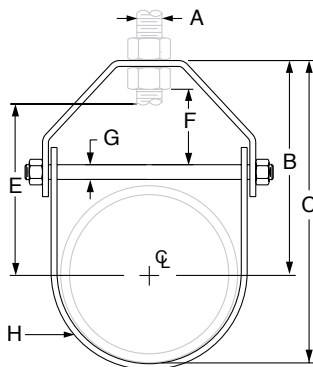
Type 304SS + 316SS

FUNCTION:

Allows vertical adjustment of pipe after installation

FEATURES:

- Conforms with Federal Specification WW-H-171 (Type 1), Manufacturers Standardization Society (MSS) SP-69 (Type 1)
- When using insulated pipe, order hanger sized to correspond to overall dimension. It is also recommended to use insulation shields



Clevis Hanger: Loads (LBS) • Weights (LBS) • Dimensions (IN)

ITEM CODE 4500	ITEM CODE 4600	SIZE	MAX LOAD	WEIGHT	A ROD SIZE	B	C	E ROD TAKE OUT	F ADJUSTMENT	G	H WIDTH LOWER
4500-0050SS	4600-0050SS	1/2	610	0.31	3/8	1 5/8	2 1/8	1 1/2	5/8	1/4	1
4500-0075SS	4600-0075SS	3/4	610	0.33	3/8	1 3/4	2 3/8	1 5/16	5/8	1/4	1
4500-0100SS	4600-0100SS	1	610	0.34	3/8	2 1/16	2 3/4	1 5/8	5/8	1/4	3/4
4500-0125SS	4600-0125SS	1 1/4	610	0.41	3/8	2 3/8	3 5/16	1 11/16	5/8	1/4	1
4500-0150SS	4600-0150SS	1 1/2	610	0.43	3/8	2 15/16	3 15/16	2 1/8	7/8	1/4	1
4500-0200SS	4600-0200SS	2	610	0.53	3/8	3 1/4	4 1/2	2 5/8	1 1/8	1/4	1
4500-0250SS	4600-0250SS	2 1/2	1130	0.74	1/2	3 3/4	5 1/4	3 3/16	1 5/16	3/8	1
4500-0300SS	4600-0300SS	3	1130	0.99	1/2	4 1/8	6	4 1/16	1 5/8	3/8	1
4500-0350SS	4600-0350SS	3 1/2	1130	0.91	1/2	4 7/16	6 1/2	4 3/16	1 13/16	3/8	1 1/4
4500-0400SS	4600-0400SS	4	1130	1.43	5/8	5 3/8	7 3/4	4 1/2	1 11/16	3/8	1 1/4
4500-0500SS	4600-0500SS	5	1430	1.62	5/8	6 13/16	9 3/4	5 1/2	1 15/16	3/8	1 3/16
4500-0600SS	4600-0600SS	6	1940	3.26	3/4	8 1/4	11 3/4	5 3/4	1 11/16	1/2	1 7/16
4500-0800SS	4600-0800SS	8	2000	4.39	3/4	9 1/2	14	7 3/16	2	1/2	1 7/16
4500-1000SS	4600-1000SS	10	3600	8.64	7/8	10 7/8	16 1/2	8 7/16	2 1/8	5/8	1 3/4
4500-1200SS	4600-1200SS	12	3800	11.32	7/8	12	18 5/8	10 7/8	2 13/16	5/8	2
4500-1400SS	4600-1400SS	14	4200	15.05	1	14 1/2	21 3/4	10 11/16	2 11/16	3/4	2
4500-1600SS	4600-1600SS	16	4600	21.00	1	15 3/4	23 3/4	12	2 3/4	1	2 1/2