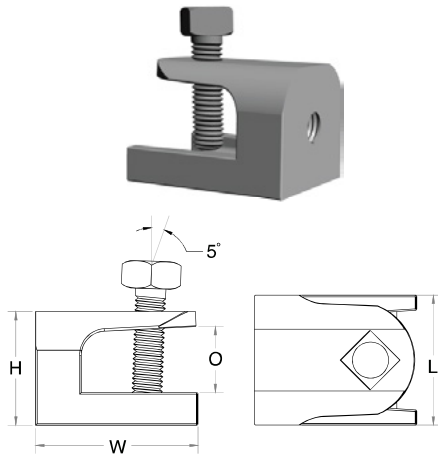


LIGHT DUTY MALLEABLE BEAM CLAMP



Model BC4

SIZE:

3/8" rod sizes

FINISH:

Electro-Galvanized

FUNCTION:

Structural attachment to lower beams or purlins with 45° flanges up to 2" long and 90° flanges up to 1 1/2" high

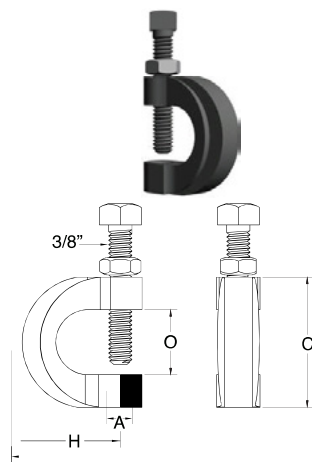
FEATURES:

- Set screw made of hardened steel

BC4: Loads (LBS) • Weights(LBS) • Dimensions (IN)

ITEM CODE	ROD SIZE	MAX LOAD	WEIGHT	H	O	W	L	TOP THREAD	BOTTOM THREAD	SIDE THREAD
BC4-0025EG	1/4	150	0.12	1 1/4	1	1 1/4	1 1/8	5/16	1/4-20	1/4-20
BC4-0037EG	3/8	350	0.29	2	1	1 1/4	2	5/16	3/8-16	3/8-16

MALLEABLE C CLAMP



Model BC6

SIZE:

3/8" rod sizes

FINISH:

Plain

FUNCTION:

Structural attachment to lower beams or purlins with 45° flanges up to 2" long and 90° flanges up to 1 1/2" high

FEATURES:

- Set screw made of hardened steel

BC6: Loads (LBS) • Weights(LBS) • Dimensions (IN)

ITEM CODE	ROD SIZE	MAX LOAD	WEIGHT	H	O	C
BC6-0037P	1/4	400	0.26	1 3/8	3/4	1 3/4
BC6-0050P	1/2	400	0.29	1 3/8	3/4	1 3/4
BC6-0067P	5/8	440	0.47	1 1/2	3/4	2