

# PIPE HANGERS



## CLEVIS HANGER

**Copper Colored Epoxy - Light Duty  
Model 4400**

**SIZE:**

Light Duty: 1/2" thru 4"

**FINISH:**

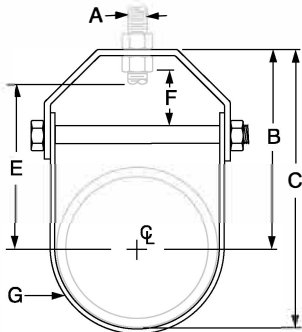
Copper-Colored Epoxy (PC)

**FUNCTION:**

Allows vertical adjustment of pipe after installation

**FEATURES:**

- Maximum temperature Plain 650° F, Galvanized 450° F
- Conforms with Federal Specification WW-H-171-E (Type 1), Manufacturers Standardization Society (MSS) SP-69 (Type 1) and MSS-58 (Type 1)
- When using an oversize clevis, it is recommended to install a full-width spacer on the cross bolt to prevent failure due to disfiguring the U-strap
- When using insulated pipe, order hanger sized to correspond to overall dimension. It is also recommended to use insulation shields



**Light Duty Clevis Hanger - PC: Loads (LBS) • Weights (LBS) • Dimensions (IN)**

ITEM CODE 4400	TUBE SIZE	MAX LOAD	WEIGHT	A ROD SIZE	B	C	E ROD TAKE OUT	F ADJUSTMENT
4400-0050PC	1/2	150	0.09	3/8	1 15/16	2 1/4	1 1/8	3/8
4400-0075PC	3/4	150	0.10	3/8	1 1/2	1 15/16	1 1/8	7/16
4400-0100PC	1	250	0.14	3/8	1 3/4	2 5/16	1 5/16	9/16
4400-0125PC	1 1/4	250	0.15	3/8	2 1/16	2 3/4	1 9/16	9/16
4400-0150PC	1 1/2	250	0.15	3/8	2 7/16	3 5/16	2 1/16	1 5/16
4400-0200PC	2	250	0.17	3/8	3 7/16	4 1/2	3 3/8	1 3/4
4400-0250PC	2 1/2	350	0.28	3/8	4 1/2	5 11/16	3 15/16	2 1/8
4400-0300PC	3	350	0.57	3/8	3 5/8	5 3/16	4	2 1/16
4400-0400PC	4	400	0.73	3/8	3 5/16	7 3/8"	3 3/8	2 1/8