



TWO ROD ROLLER

Two Rod Roller w/ Axle Model 689 & 682

SIZE:

2" thru 30"

FINISH:

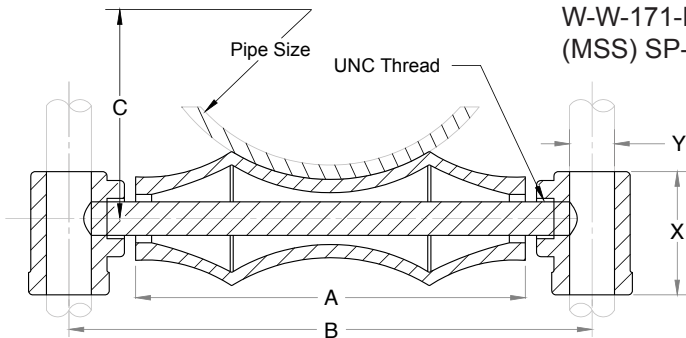
Plain & Hot Dip Galvanized

FUNCTION:

For support of pipe where horizontal movement due to expansion and contraction will occur

FEATURES:

- Maximum temperature 450° F
- Designed to be compatible with Elite Components Roller
- Conforms with Federal Specification A-A-1192A (Type 41/43), W-W-171-E (Type 42/44), Manufacturers Standardization Society (MSS) SP-58 and SP-69 (Type 41/43)



Two Rod Roller w/ Axle: Loads (LBS) • Weights (LBS) • Dimensions (IN)

ITEM CODE		SIZE	MAX LOAD	WEIGHT	A	B	C	X	HANGER ROD Y
PLAIN	HOT DIP GALVANIZED								
689-0200P	682-0200HD	2	600	1.19	2 ⁵ / ₈	4 ¹ / ₈	1 ⁷ / ₈	1 ¹ / ₄	1 ¹ / ₂
689-0250P	682-0250HD	2 ¹ / ₂	660	1.40	3 ³ / ₈	5 ⁵ / ₈	2 ¹ / ₄	1 ¹ / ₄	1 ¹ / ₂
689-0300P	682-0300HD	3	750	1.70	3 ¹ / ₄	6 ¹ / ₈	2 ⁵ / ₈	1 ¹ / ₄	1 ¹ / ₂
689-0400P	682-0400HD	4	750	1.88	4 ³ / ₄	6 ¹ / ₁₆	2 ⁷ / ₈	1 ¹ / ₄	1 ¹ / ₂
689-0500P	682-0500HD	5	750	2.46	5 ³ / ₄	7 ¹⁵ / ₁₆	3 ¹ / ₂	1 ⁹ / ₁₆	5 ⁵ / ₈
689-0600P	682-0600HD	6	1070	5.04	6 ⁷ / ₈	9 ⁹ / ₁₆	4	1 ⁹ / ₁₆	5 ⁵ / ₈
689-0800P	682-0800HD	8	1350	6.58	8 ⁷ / ₈	12	5 ¹ / ₄	1 ¹³ / ₁₆	3 ³ / ₄
689-1000P	682-1000HD	10	1730	8.49	11	14	6 ⁵ / ₁₆	2 ¹ / ₈	7 ⁷ / ₈
689-1200P	682-1200HD	12	2400	12.00	13	15 ³ / ₄	7 ¹ / ₂	2 ¹ / ₈	7 ⁷ / ₈
689-1400P	682-1400HD	14	3130	22.89	14 ¹ / ₄	17 ⁵ / ₈	8 ³ / ₈	2 ¹ / ₈	7 ⁷ / ₈
689-1600P	682-1600HD	16	3970	24.97	16 ¹ / ₄	19 ⁹ / ₁₆	9 ⁷ / ₁₆	2 ¹ / ₄	1
689-1800P	682-1800HD	18	4200	28.99	18 ¹ / ₄	21 ⁵ / ₁₆	10 ⁷ / ₁₆	2 ¹ / ₄	1
689-2000P	682-2000HD	20	4550	36.37	20 ¹ / ₄	24 ¹ / ₈	11 ¹ / ₂	3	1 ¹ / ₄
689-2400P	682-2400HD	24	6160	56.64	24 ¹ / ₄	28 ³ / ₈	13 ¹⁵ / ₁₆	3 ³ / ₈	1 ¹ / ₂
689-3000P	682-3000HD	30	7290	94.37	30 ⁷ / ₁₆	35 ³ / ₈	17 ⁵ / ₁₆	3 ³ / ₈	1 ¹ / ₂