

CUSHION CLAMP

Tube Size
Model STCC



SIZE:

3/8" thru 4 1/8"

FINISH:

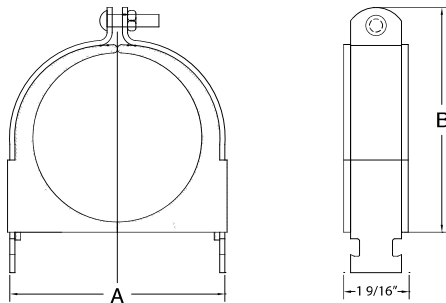
Yellow di-chromate

FUNCTION:

Fits any standard 1 5/8" wide strut channel

FEATURES:

- Ideal for multiple runs while absorbing shock and vibration, reducing unwanted noise and preventing galvanic corrosion
- Interlock edges and channel locator legs help ensure that the cushion remains in place
- Temperature range: -65F to 275F



Cushion Clamp: Loads (LBS) • Weights (LBS) • Dimensions (IN)

ITEM CODE	SIZE	MAX LOAD	WEIGHT	COPPER TUBE (O.D)	A	B
STCC-037YZ	3/8	400	0.11	1/4 (0.375)	0.85	1.16
STCC-050YZ	1/2	400	0.13	3/8 (0.500)	0.97	1.37
STCC-062YZ	5/8	400	0.14	1/2 (0.625)	1.05	1.54
STCC-075YZ	3/4	600	0.14	5/8 (0.750)	1.23	1.71
STCC-087YZ	7/8	600	0.15	3/4 (0.875)	1.30	1.89
STCC-112YZ	1 1/8	600	0.18	1 (1.125)	1.52	2.14
STCC-137YZ	1 3/8	600	0.20	1 1/4 (1.375)	1.80	2.31
STCC-162YZ	1 5/8	600	0.25	1 1/2 (1.625)	2.10	2.63
STCC-212YZ	2 1/8	800	0.46	2 (2.125)	2.71	3.31
STCC-262YZ	2 5/8	800	0.51	2 1/2 (2.625)	3.17	3.90
STCC-312YZ	3 1/8	800	0.60	3 (3.125)	3.66	4.43
STCC-412YZ	4 1/8	1000	0.94	4 (4.125)	4.85	5.68